

LED PAR LIGHT

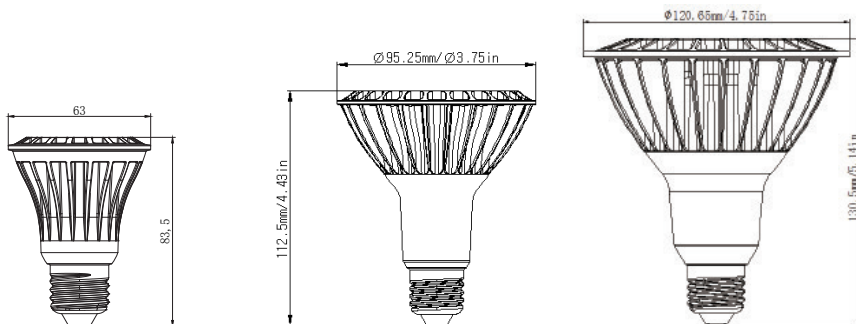
CE RoHS



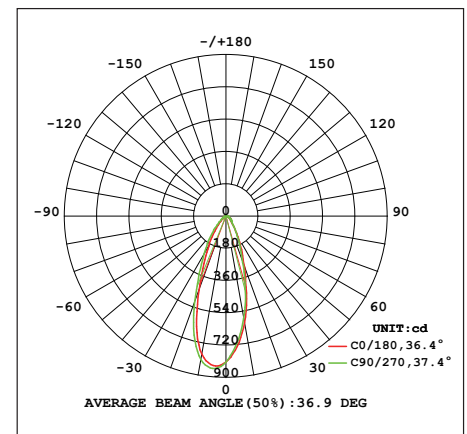
Technical Data Sheet

PARAMETER	SPECIFICATION		
Product Code	RP20D008G01(02)	RP30D011G01(02)	RP38D016G01(02)
Power Consumption	8W	11W	16W
Base	E27		
Size L*H*W (mm)	Φ63*83.5	Φ95.25*112.5	Φ120*130.5
Lumen	500lm	760lm	1100lm
Efficacy	70lm/w		
I/P Voltage	220-240V, 50Hz		
THD	< 15%		
Operating Temp.	(-20 C) to (+40 C)		
Burning Hrs	35,000		
CCT	3000K		
CRI	>80		
PF	>0.9		
Surge Protection	1KV		
Dimmable	Yes		
LED Make	Retop		
Housing material	JUFEI		
Beam Angle	35°		
Ingress Protection	IP20		

Dimensions



Photometry



Follow us

